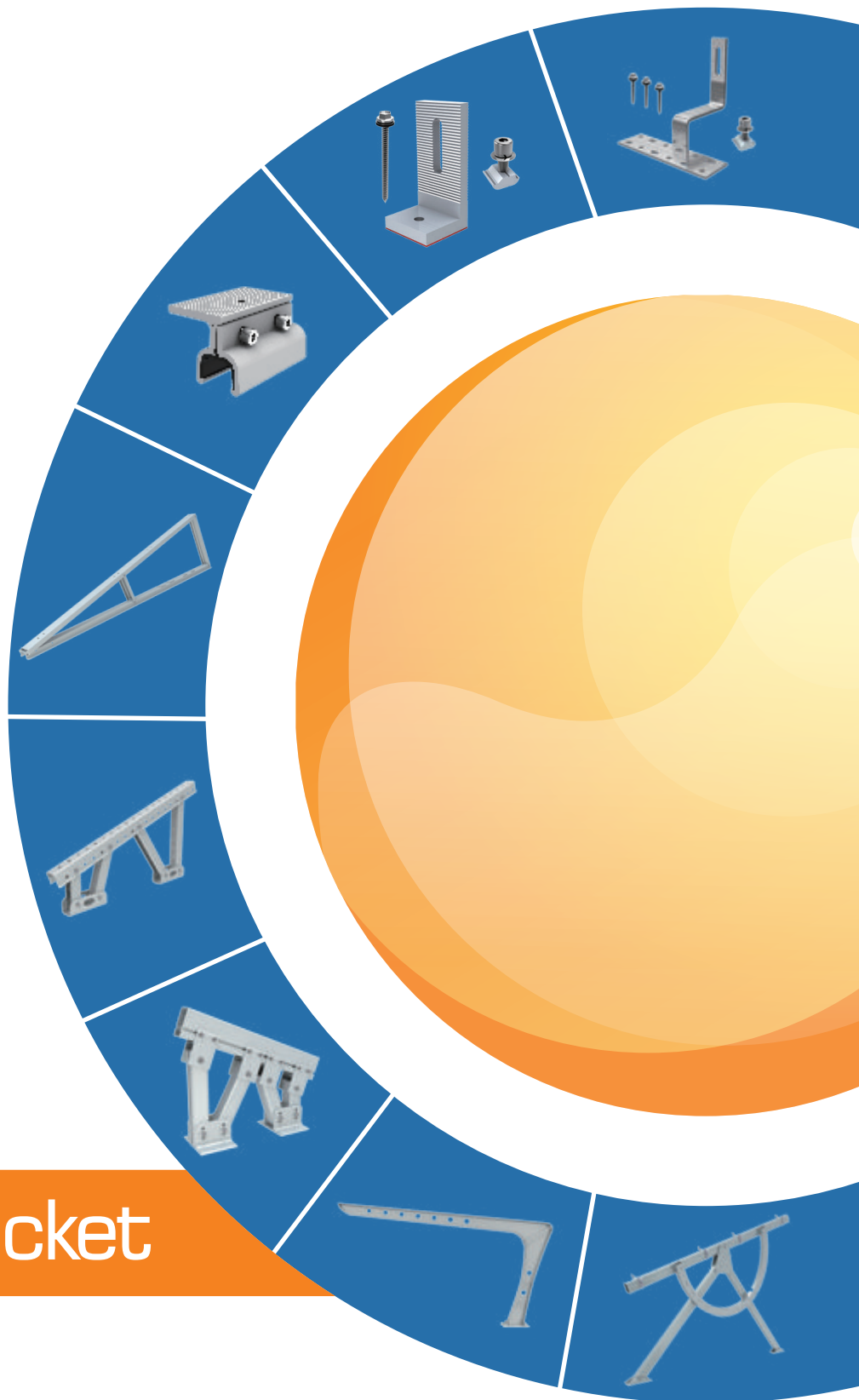


# CHIKO

Solar Mounting Solutions



Mount Bracket

# WORLD LEADING MANUFACTURE

## COMPANY

CHIKO Solar designs and manufactures high quality solar mounting systems for pitched roof, flat roof and ground open areas. Whether for small or large-scale projects, standard models, or tailor-made systems, we deliver what you need. CHIKO Solar is a leading manufacturer in solar industry. We provide design, manufacture, sales, service, and customers support from our headquarters in Shanghai. We are working with companies from USA, Mexico, Germany, UK, Brazil, Korea, Thailand, Australia, South Africa, Japan, etc. to provide best possible service. We are proud of the fact that more than 4GW of solar projects worldwide utilize CHIKO mounting systems.

## Quality

At CHIKO, we meet highest quality standards. All of our Aluminum profiles are made 6005 T5 with surface protection anodic oxidation 12-15 micron ( $\mu$ ), hooks and bolts are made of Stainless Steel 304. Ground mounting systems that made of Q235 steel and hot dip galvanized with an average thickness 80 micron ( $\mu$ ).

## Production Certification

CHIKO Solar has obtained product certifications, and management system endorsement guaranteed and approved by leading testing agencies including UL, SGS, Gamcorp, MCS, Intertek, SPAD, etc. Our product designs are based on the following Australian Standards and sections of Building Code of Australia relevant to structural issues.



INNOVATIVE DESIGN MADE SIMPLE

# INDEX

## TILE ROOF MOUNT BRACKET

1-5

S Tile Mount  
Adjustable S Tile Mount  
Flat Tile Mount  
Asphalt Shingle Mount  
Roman Tile Mount

## METAL ROOF MOUNT BRACKET

6-13

L Feet Mount  
Hanger Bolt Mount  
Standing Seam Roof Clamp  
Trapezoidal Metal Sheet Mount  
Lysaght Klip-lok 406 & 700 Mounts  
Rail-free Mount  
Adjustable Tilt Mount  
Standoff

## FLAT ROOF MOUNT

14-18

Ballast I-2 Flat Roof Mount  
Ballast I-3 Flat Roof Mount  
Ballast III Flat Roof Mount  
Aluminium Triangular Mount  
Adjustable Steel Triangular Mount

## ROOF COMPONENT

19-20

Rail 7 System  
Rail 43 & Rail 4 System

## GROUND MOUNT

21-25

T2VC Aluminum Ground Mount  
U2V Steel Ground Mount  
Pipe Ground Mount  
Σ Single Pipe Ground Mount  
Adjustable Steel Ground Mount

## Carport

26-28

Alu Carport  
Steel Carport  
Steel T Carport

## GROUND SCREW & ANCHOR

29-30

## ACCESSORY

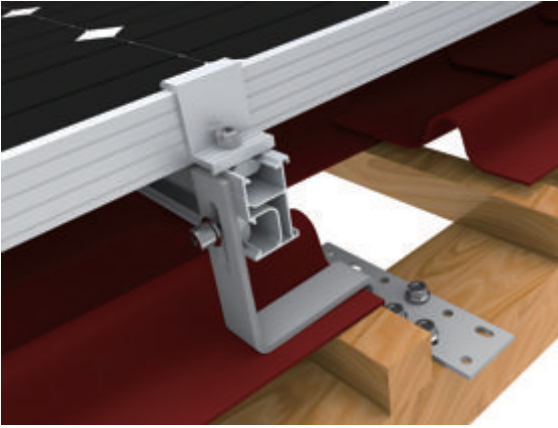
31-34

Earthing Accessory  
Cable Fixed Accessory  
PV Connector  
PV Cable

## PROJECTS REFERENCE

35-36

## S Tile Mount



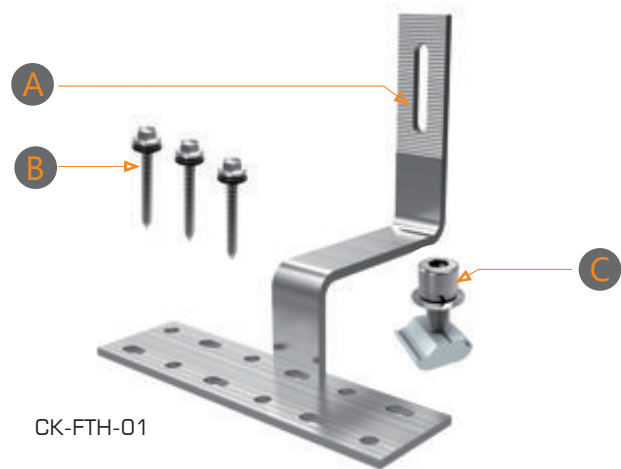
CHIKO S Tile Hook, gives you different options for installation on rail (vertical or horizontal).

### Features

- Enable fast, simple and cost-effective installation
- Made of SUS 304
- Highly corrosion resistant surface treatment
- Fasteners and rail nut configured fully, to save installation time and purchasing extra parts

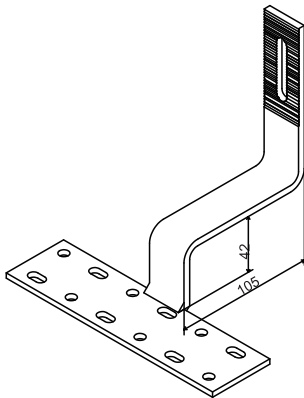
### Component List

Component List	Qty
(A) Stainless steel 304 hook	1
(B) 6.3x65mm wooden screw & EPDM washer	3
(C) M8x25mm SUS 304 bolt & washer with rail nut	1



CK-FTH-01

### Specification



### S Tile Mount Series



CK-FTH-01B



CK-FTH-02



CK-FTH-078



CK-FTH-09

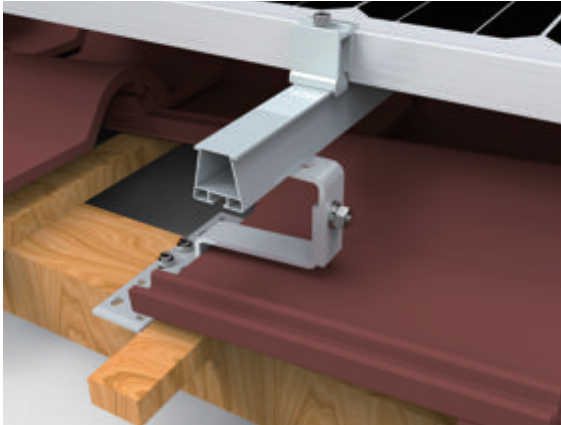


CK-FTH-076



CK-FTH-075

# Adjustable S Tile Mount



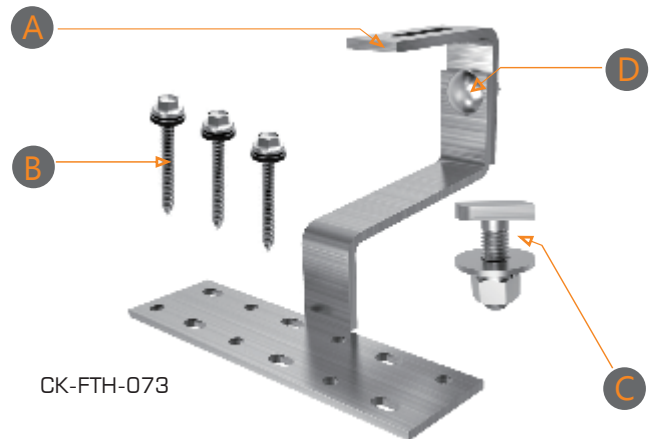
CHIKO Adjustable S Tile Hook can be adjusted horizontally and vertically, which gives more versatility than regular S Tile Hook.

## Features

- Enable fast, simple and cost-effective installation
- Made of SUS 304
- Highly corrosion resistant surface treatment
- Fasteners and rail nut configured fully, to save installation time and purchasing extra parts

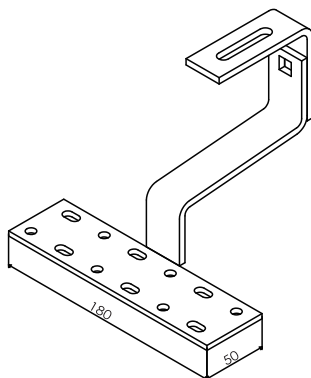
## Component List

Component List	Qty
(A) Stainless steel 304 hook	1
(B) 6.3x65mm wooden screw & EPDM washer	3
(C) M8x25mm SUS 304 T bolt & flange nut	1
(D) Carriage bolt M10 x 25 & hex nut	1



CK-FTH-073

## Specification



## Adjustable S Tile Mount Series



CK-FTH-04



CK-FTH-080



CK-FTH-09V



CK-FTH-036

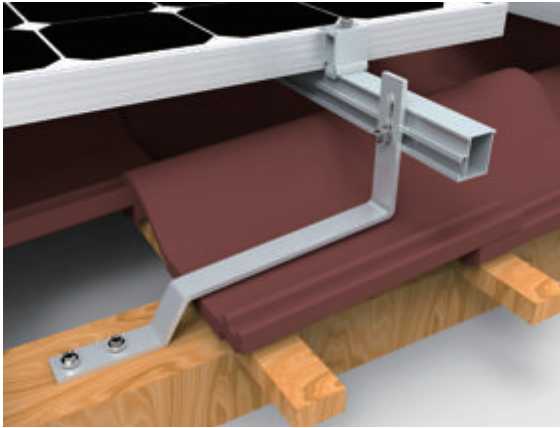


CK-FTH-063V



CK-FTH-064V

## Flat Tile Mount



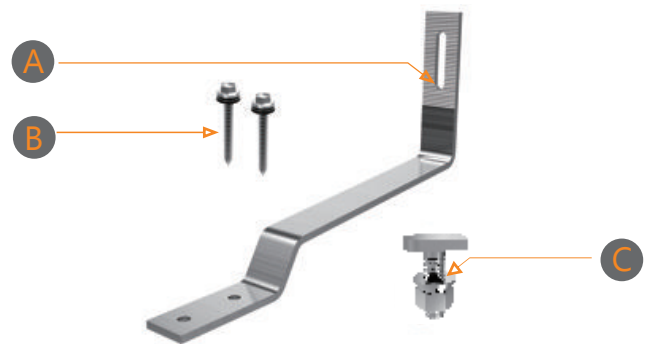
CHIKO Flat Tile Hook offers the best and easiest solution for installation on a slate, cement or flat tile roof.

### Features

- Enable fast, simple and cost-effective installation
- Made of SUS 304
- Highly corrosion resistant surface treatment
- Fasteners and rail nut configured fully, to save installation time and purchasing extra parts

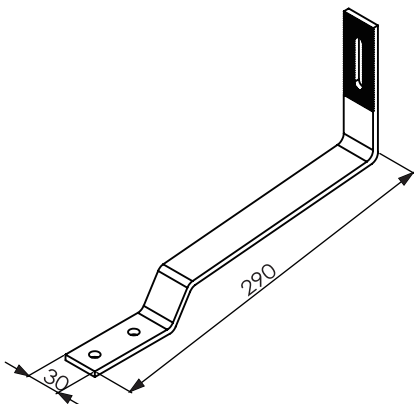
### Component List

Component List	Qty
(A) Stainless steel 304 hook	1
(B) 6.3x65mm wooden screw & EPDM washer	2
(C) M8x25mm SUS 304 T bolt & flange nut	1



CK-FTH-05

### Specification



### Flat Tile Mount Series



CK-FTH-05B



CK-FTH-06



CK-FTH-062



CK-FTH-062-52

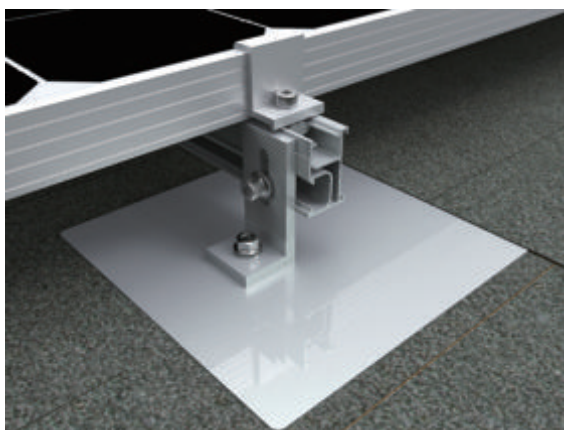


CK-FTH-081



CK-FTH-083

## Asphalt Shingles Mount



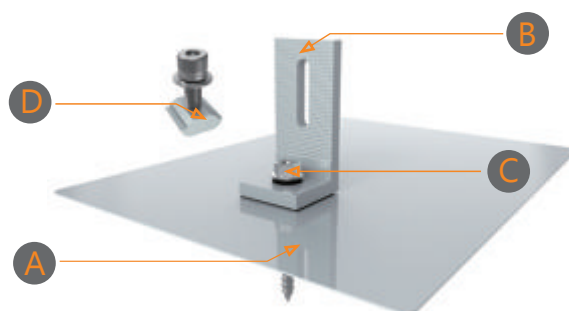
This flashing matches CHIKO L feet, supplying the best solution for Asphalt Shingles.

### Features

- Flashing and L foot made of 100% aluminum
- Waterproof EPDM rubber integrated
- Enable fast, simple and cost-effective installation
- Fasteners and rail nut configured fully, to save installation time and purchasing extra parts

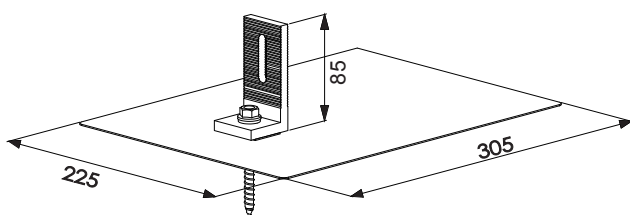
### Component List

Component List	Qty
(A) 100% aluminum flashing	1
(B) Aluminum L foot 6005-T5	1
(C) 8x80mm wooden screw & EPDM washer	1
(D) M8x25mm SUS 304 bolt & washer with rail nut	1



CK-FTH-019

### Specification



### Asphalt Shingles Mount Series



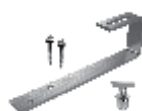
CK-FTH-07



CK-FTH-07B



CK-FTH-010



CK-FTH-061

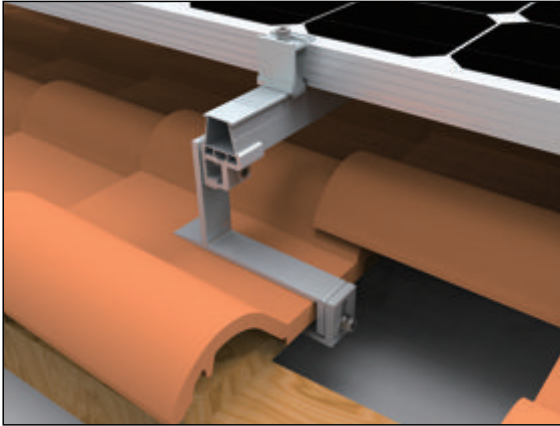


CK-FTH-061V



CK-FTH-061-255

## Roman Tile Mount



This hook is adjustable and is perfect for roman tiles, concrete tiles and shingle rooftops

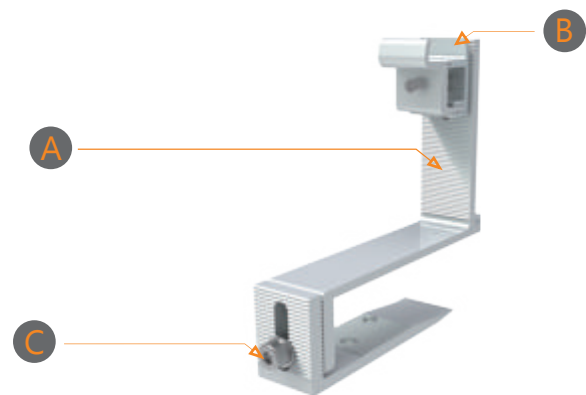
### Features

- Enable fast, simple and cost-effective installation
- High class anodized aluminium
- Fasteners and rail nut configured fully, to save installation time and purchasing extra parts
- Height adjustment

### Component List

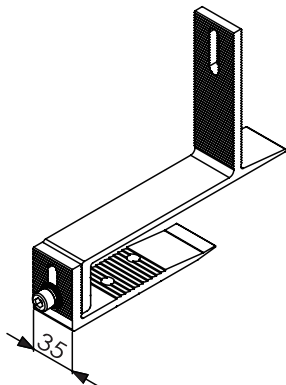
Component List	Qty
(A) Aluminium hook 6005-T5	1
(B) Aluminium adapter & M8x50mm SUS 304 bolt	1
(C) M8X20 SUS 304 bolt & washer	1

Intertek



CK-FTH-016

### Specification



### Roman Tile Mount Series



CK-FTH-016A



CK-FTH-016B



CK-FTH-211



## L Feet Mount



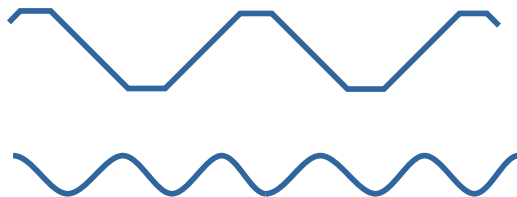
CK-FTH-013

CHIKO L feet have been widely used on universal corrugated metal roofing. It can fix to the roof rafter directly, applied with hanger bolts or fitted with CHIKO designing roof clamps.

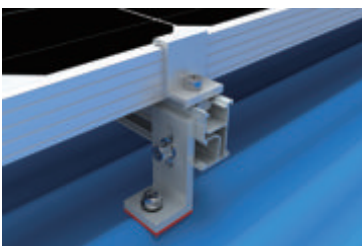
### Features

- Enable fast, simple and cost-effective installation
- Al6005-T5. High class anodized aluminium
- Waterproof Silicone rubber intergrated
- Fasteners and rail nut configured fully, to save installation time and purchasing extra parts

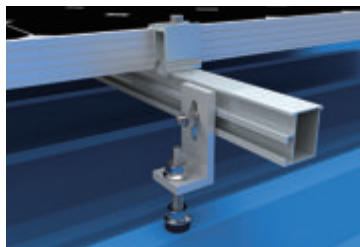
Universal trapezoid for & corrugated sheet metal:



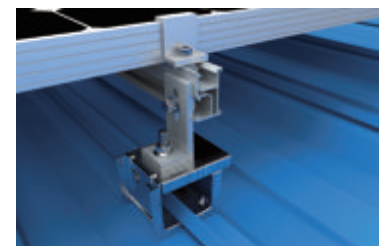
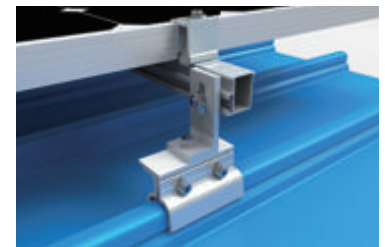
Fix to roof directly



Apply with Hanger bolt



Apply with roof clamps



# Hanger Bolt Mount

## For Wooden Rafter



CK-FTH-M10-B200/250/300

CHIKO hanger bolts can be installed on both wooden rafters or steel purlins. Both types can be applied with L feet or plate.

## Features

- Enable fast, simple and cost-effective installation
- Made of SUS 304
- Highly corrosion resistant surface treatment
- Waterproof EPDM rubber integrated
- Wooden rafter and steel purlin options

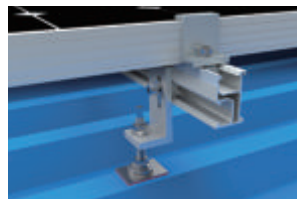
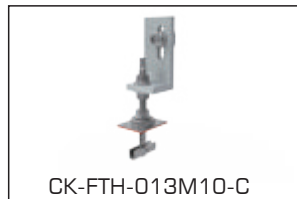
## For Steel Purlin



CK-FTH-M10-C120/160/200



### Apply with L Feet



### Apply with plate



# Standing Seam Roof Clamp



CK-FTH-327



CK-FTH-336



CK-FTH-349



CK-FTH-351



CK-FTH-212



CK-FTH-213

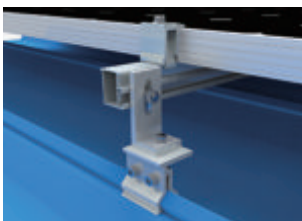
Chiko Roof Clamps are designed for standing seam roofing with the similar profiles, providing a simple clip-on installation to the roof.

## Features

- Enable fast, simple and cost-effective installation
- Al6005-T5, High standard anodized aluminum
- Minimal fasteners to save installation time
- Universal used on similar roofing



Apply with 43#Rail



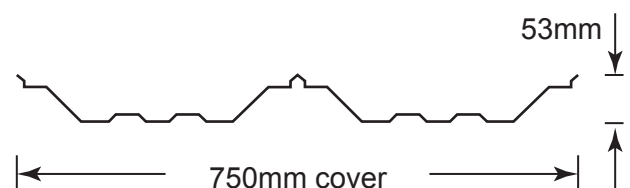
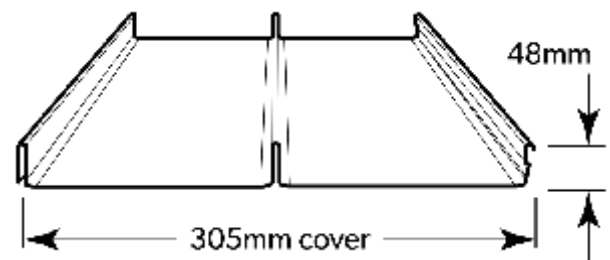
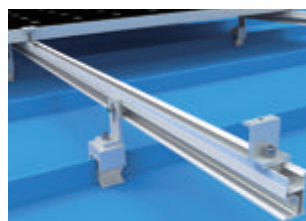
Apply with 43#Rail



Apply with 4#Rail



Apply with 7#Rail

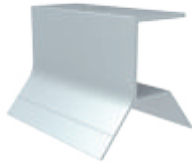


# Trapezoidal Metal Sheet Mount

This hook is designed for trapezoid metal roofs allowing it to be fixed directly to the purlin, providing a strong and robust solution.



CK-FTH-352



CK-FTH-362

## Features

- Enable fast, simple and cost-effective installation
- Al6005-T5. High class anodized aluminium
- Waterproof EPDM rubber intergrated
- Fasteners and rail nut configured fully, to save installation time and purchasing extra parts



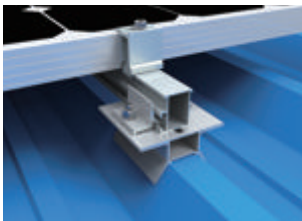
CK-FTH-025



CK-FTH-027



Apply with 43#Rail



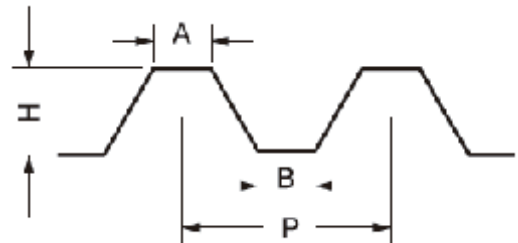
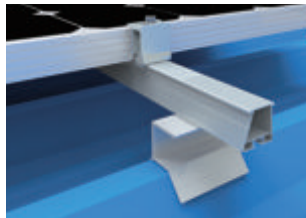
Apply with tilt leg



Apply with 43#Rail



Apply with 4#Rail



Item	H	P	A	B
CK-FTH-025	30	300	25	25
CK-FTH-027	88	200	35	35

## Lysaght Klip-lok 406 & 700 Mounts



CK-FTH-TC700



CK-FTH-TC406

CHIKO 406 & 700 Clamp is designed for Lysaght Klip-lok 406 and 700 roofings. The smart design allows for easy and fast installation.



CK-FTH-TC700-2N



CK-FTH-TC406-2N

### Features

- Enable fast, simple and cost-effective installation
- Al6005-T5. High class anodized aluminium
- Waterproof EPDM rubber integrated



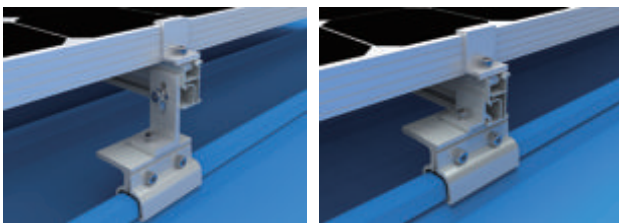
CK-FTH-TC700-3N



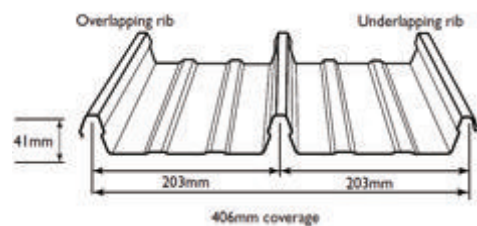
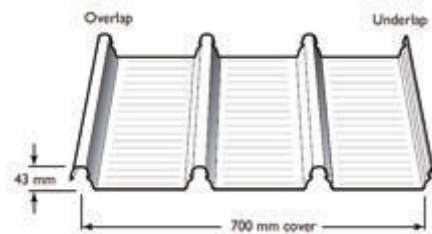
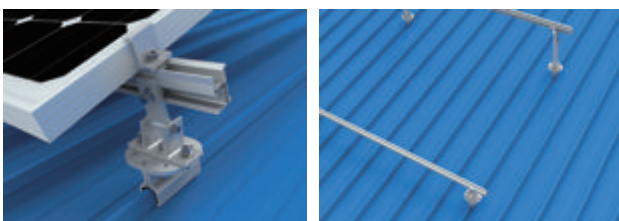
CK-FTH-TC406-3N



### Flush mount

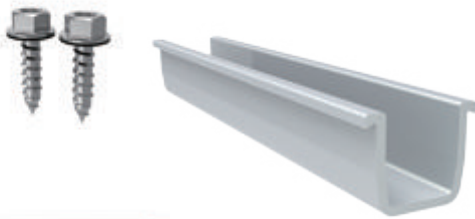


### Apply with tilt leg



## Rail-free Mount

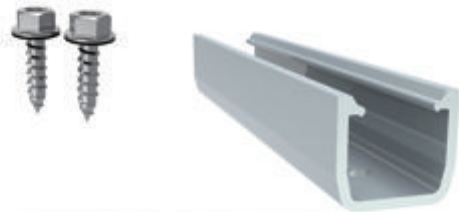
CHIKO rail free mount is designed for trapezoid and corrugated sheet metal roofing enabling you to install without railing.



CK-FTH-012

### Features

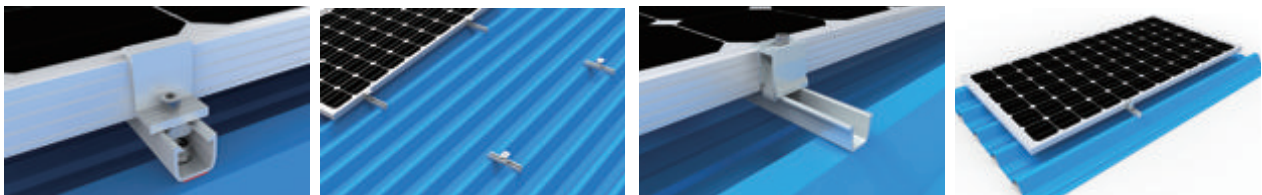
- Enable fast, simple and cost-effective installation
- Al6005-T5. High class anodized aluminium
- Waterproof EPDM rubber pad, no need extra rail
- Rail free, cost-effective solution



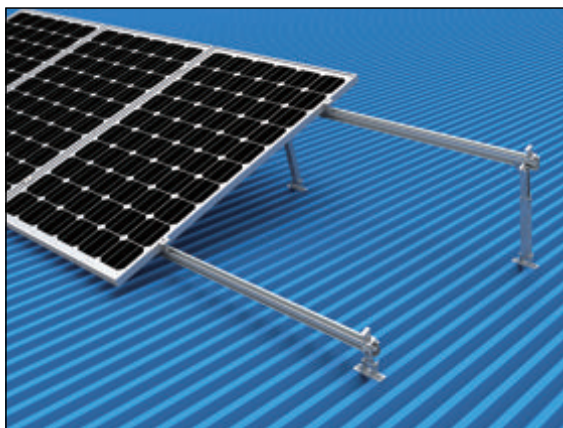
CK-FTH-017



## Installation



## Adjustable Tilt Mount



Adjustable Tilt Mount is designed to allow the system to be tilted from 10-15, 15-30 or 30-45 degrees.

### Features

- Enable fast, simple and cost-effective installation
- Al6005-T5. High class anodized aluminium
- Waterproof EPDM rubber integrated
- Fasteners and rail nut configured fully to save installation time and purchasing extra parts



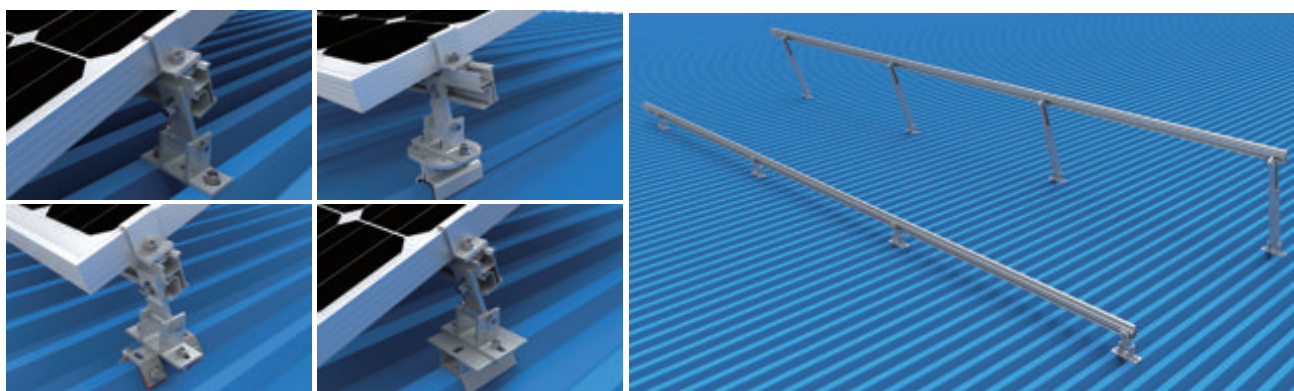
CK-FTA-FL



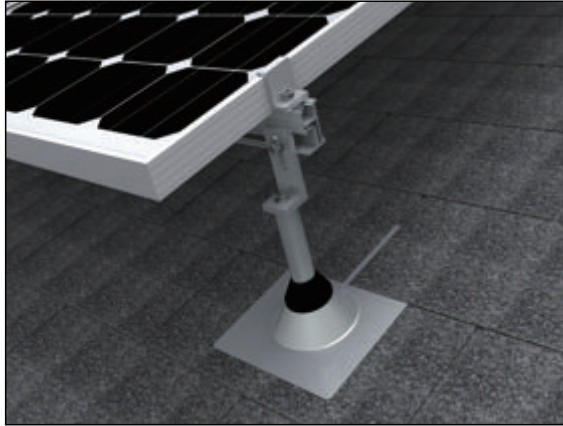
CK-FTA-BL200/340/500



## Application



## Standoff



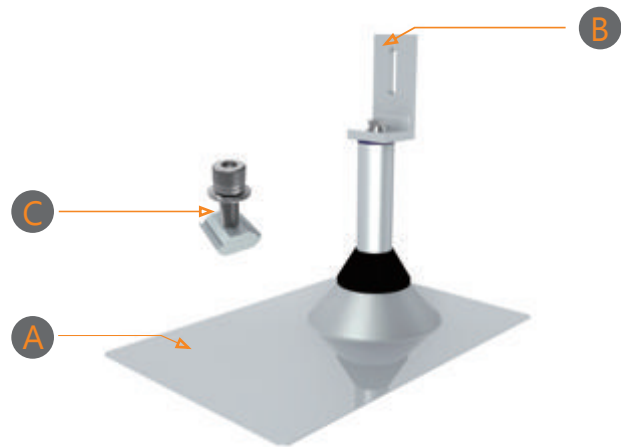
The aluminum standoff can be used on any type of flat roof.

### Features

- Enable fast, simple and cost-effective installation
- Waterproof EPDM rubber integrated
- Fasteners and rail nut configured fully to save installation time and purchasing extra parts

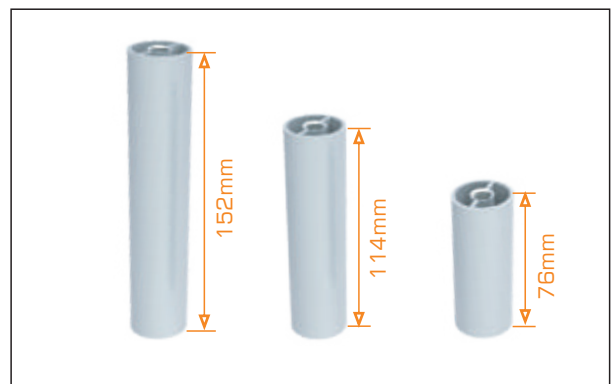
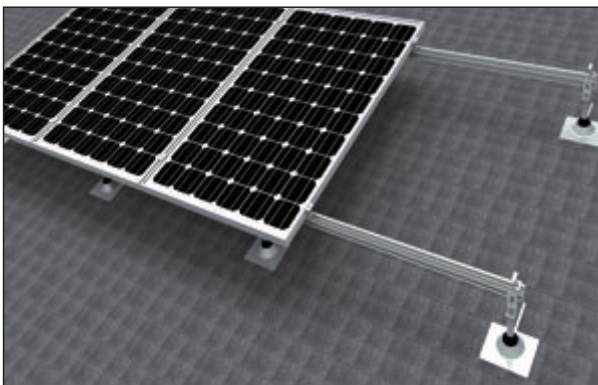
### Component List

Component List	Qty
(A) 100% aluminum flashing	1
(B) 6005-T5 aluminum L foot	1
(C) M8x25mm SUS 304 bolt & washer with rail nut	1



CK-FTH-020

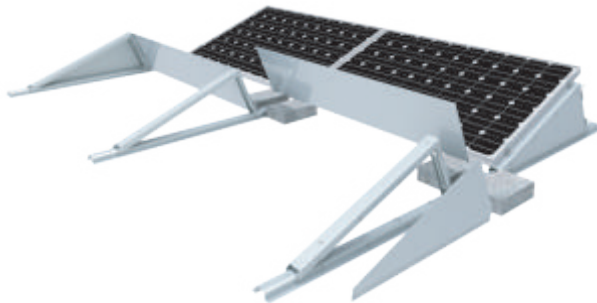
### Installation





## Ballast I-2 Flat Roof Mount

Chiko Solar Ballast I Systems is an universal mounting system to serve virtually any commercial flat roofs. The system is designed to provide the durability and flexibility solutions that is quick to install and is light on the roof.



### Features

- Material: Aluminum 6005-T5, Stainless steel 304
- Tilt Inclination: 15°, 20°, 30°
- Module Orientation: Landscape
- Max Wind Load: 60m/s
- Pre-assembled and Folded ballast console



### Main Components:

Ballast Console BTI-2

Mid Clamp

End Clamp

End Plate

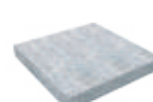


Ballast Profile - Concret Carrier

Ballast Profile

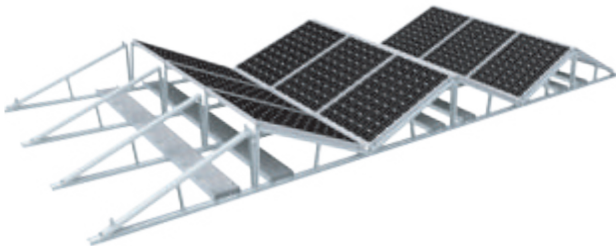
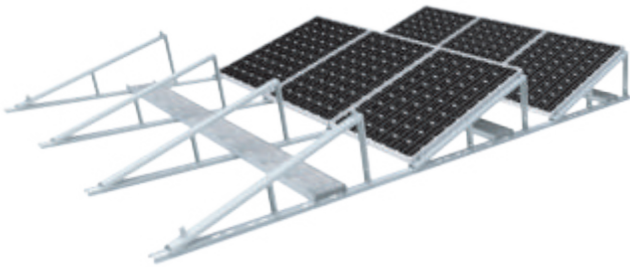
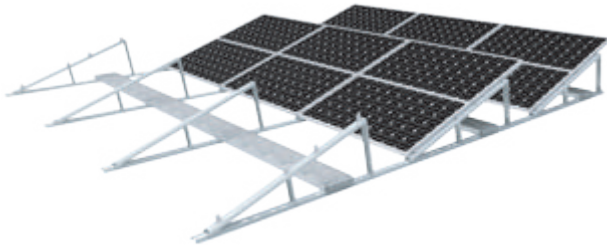
Concrete Block

Rear Plate



## Ballast I-3 Flat Roof Mount

Chiko Ballast I-3 has the extensive flexibility to provide 1 module portrait and 2 modules landscape installation at the same console. It's easier to configure, easy to store and reduce system costs.



### Features

- Material: Aluminum 6005-T5, Stainless steel 304
- Tilt Inclination: 15°, 20°, 30°
- Module Orientation: Landscape & Portrait
- Max Wind Load: 60m/s
- Pre-assembled and Folded ballast console



### Main Components:

Ballast Console BTI-3

Mid Clamp

End Clamp

End Plate

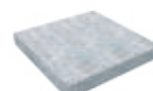
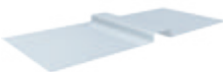


Ballast Profile - Concrete Carrier

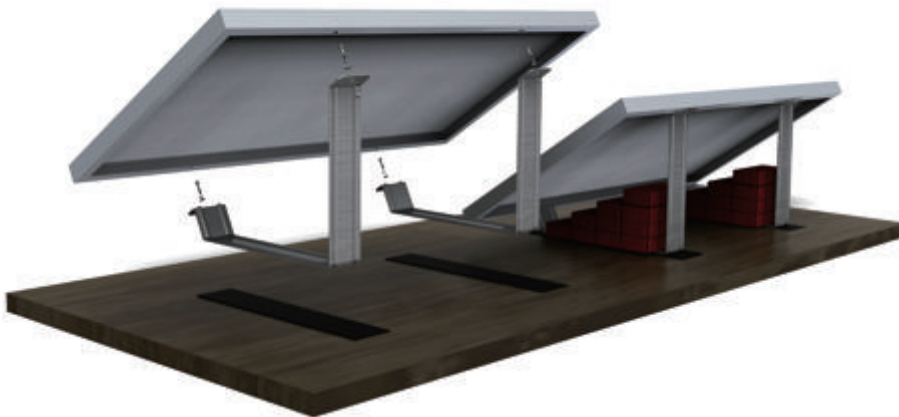
Ballast Profile

Concret Block

Rear Plate



## Ballast III Flat Roof Mount



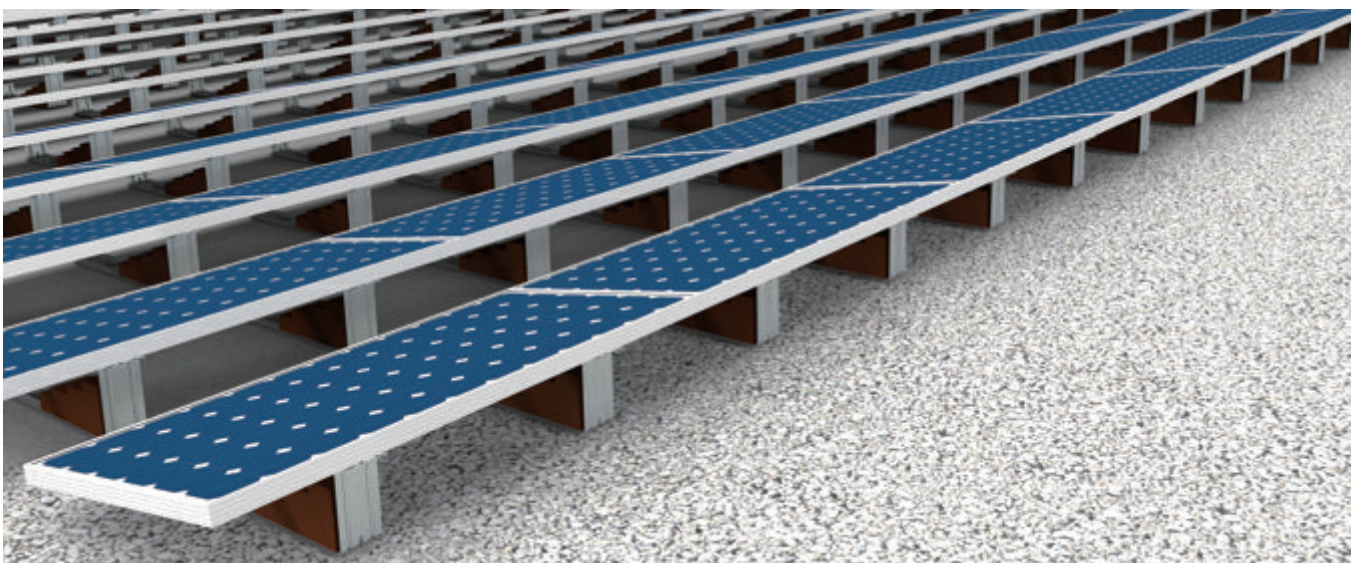
### Product Advantages

- Easy installation
- Cost-saving
- Light weight



### Features

- Application: Commercial & Residential
- Max Wind Load: 60m/s
- PV Module With: 986mm to 1000mm Framed
- Module Orientation: Landscape
- Fixed Tilt Angle: 10°, 15°, 20°, 25°, 30°
- Material: Aluminium



## Aluminium Triangular Mount

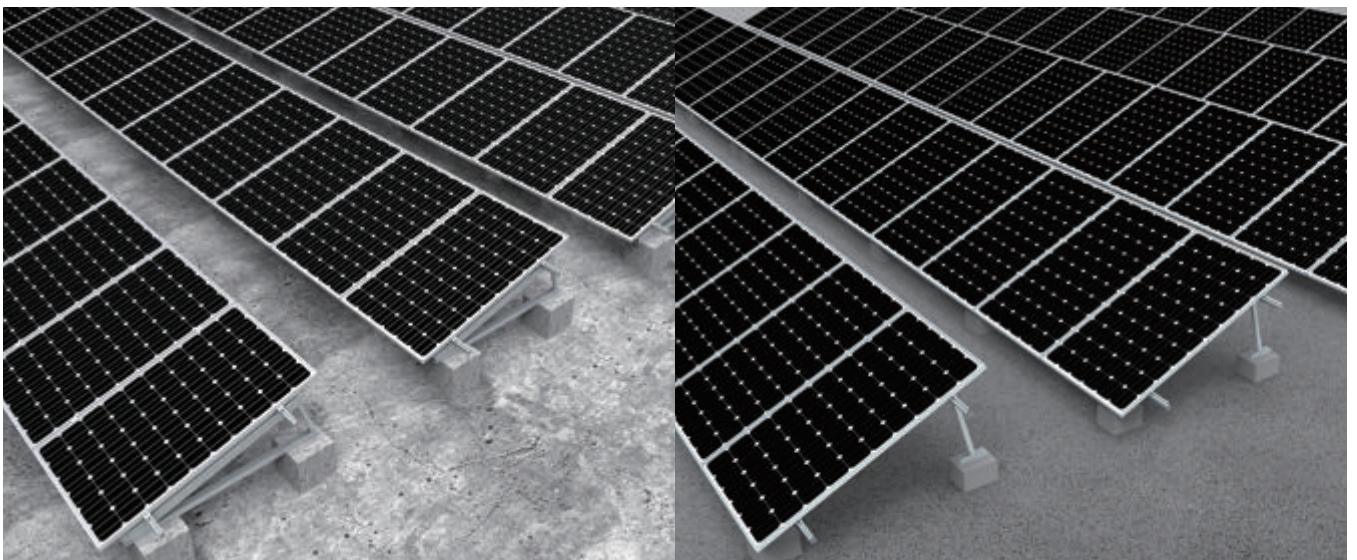


### Product Advantages

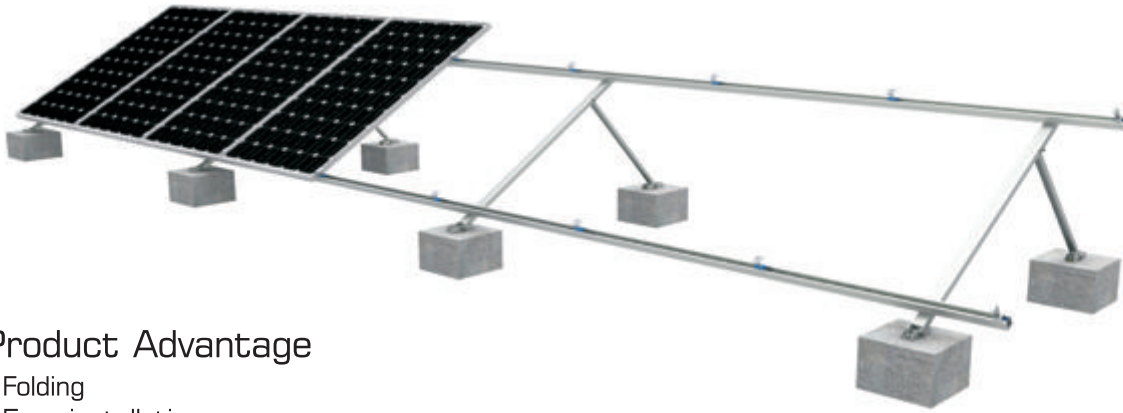
- Folding
- Easy installation
- Light weight
- Cost-effective

### Features

- Application: Commercial & Residential
- Max Wind Load: 60m/s
- PV Module: Framed or Unframed
- Module Orientation: Portrait
- Fixed Tilt Angle: 15°, 20°, 30°
- Material: Anodized Aluminium 6005-T5



## Adjustable Steel Triangular Mount

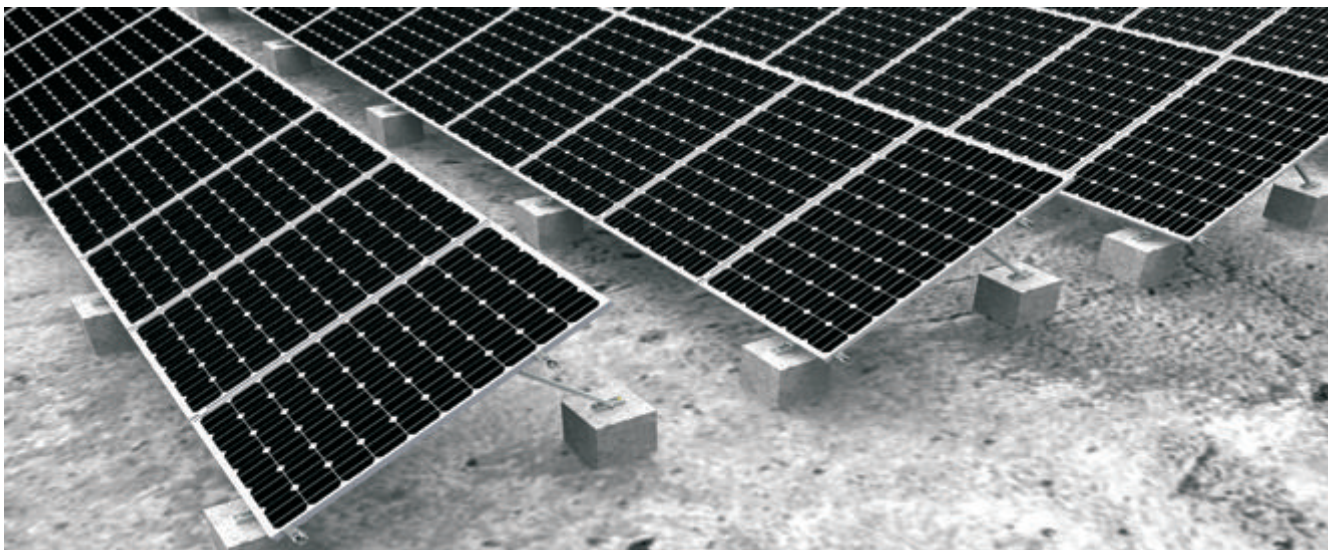


### Product Advantage

- Folding
- Easy installation
- Angle adjustable
- Cost-effective



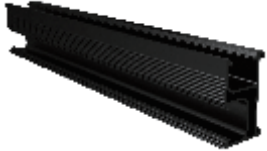

### Features

- Application: Commercial & residential
- Max wind load: 60m/s
- PV module: Framed or unframed
- Module orientation: Portrait
- Mounting angle: 20 °to 45 ° adjustable
- Material: Hot galvanized steel Q235B



## Rail 7 System

### Rail & Splice Kit

<p>7R</p> 	<p>7R rail splice kit</p> 
<p>7R-B</p> 	<p>7R-B rail splice kit</p> 




### Mid Clamp & End Clamp

<p>Mid clamp: 30/33/35/38/40/45/50mm</p> 	<p>End clamp: 30/33/35/38/40/45/50mm</p> 
<p>Black mid clamp: 30/33/35/38/40/45/50mm</p> 	<p>Black end clamp: 30/33/35/38/40/45/50mm</p> 
<p>Adjustable mid clamp: 30/34/38/42mm</p> 	<p>Adjustable end clamp: 30/34/38/42mm</p> 
<p>Thin film mid clamp: 5.6mm-7.3mm</p> 	<p>Thin film end clamp: 5.6mm-7.3mm</p> 









## Rail 43 & Rail 4 System

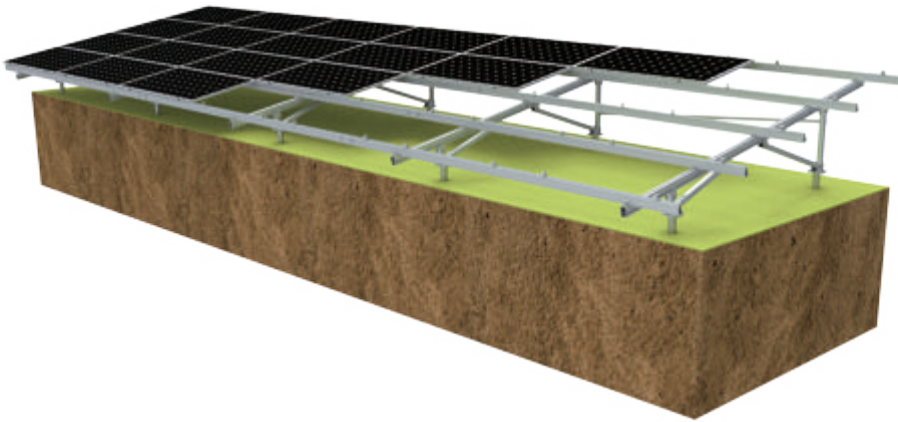
### Rail & Splice Kit

<p>43R</p> 	<p>43R rail splice kit</p> 
<p>43R-B</p> 	<p>43R-B rail splice kit</p> 
<p>4R</p> 	<p>4R rail splice kit</p> 
<p>4R-B</p> 	<p>4R-B rail splice kit</p> 

### Mid Clamp & End Clamp

<p>Mid clamp: 30/33/35/38/40/45/50mm</p> 	<p>End clamp: 30/33/35/38/40/45/50mm</p> 
<p>Black mid clamp: 30/33/35/38/40/45/50mm</p> 	<p>Black end clamp: 30/33/35/38/40/45/50mm</p> 
<p>Adjustable end clamp: 30/34/38/42mm</p> 	<p>Black adjustable end clamp: 30/34/38/42mm</p> 

## T2VC Aluminum Ground Mount

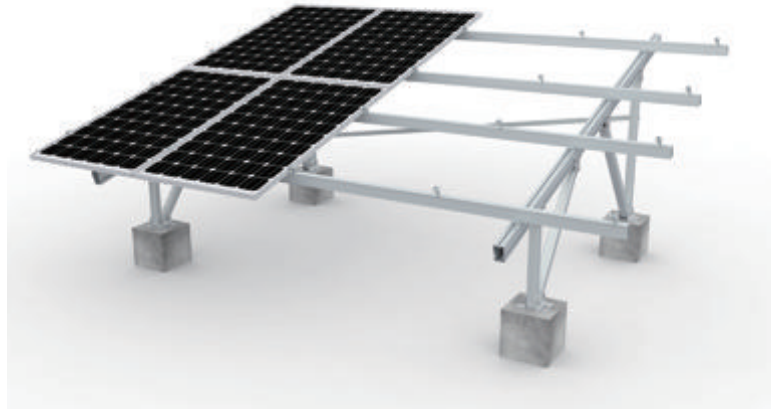


### Advantages

- Easy installation
- Safety and reliability
- Cost saving
- Anti-corrosion and anti-rust

### Technical Datas

- Installation site: Open field ground mount
- Foundation: Ground screw & Concrete
- Mount tilt angle: 0-45 Degree
- Wind velocity: Up to 60m/s
- Snow load: Up to 1.4KN/M<sup>2</sup>
- Main components: AL6005-T5
- Accessories: Stainless steel fastening
- Duration: More than 30 years

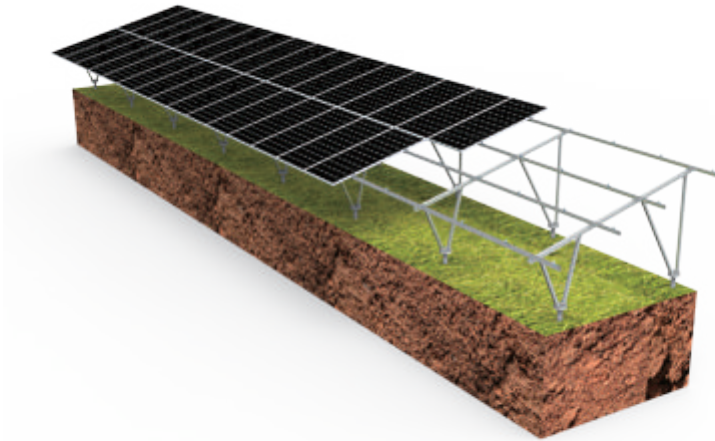


### Main Components:

2V Rack	Aluminium Rail	Aluminium Rail	Rail splice kit
Rail Fastening Block	Mid-clamp	End-clamp	Rail cap



## U2V Steel Ground Mount

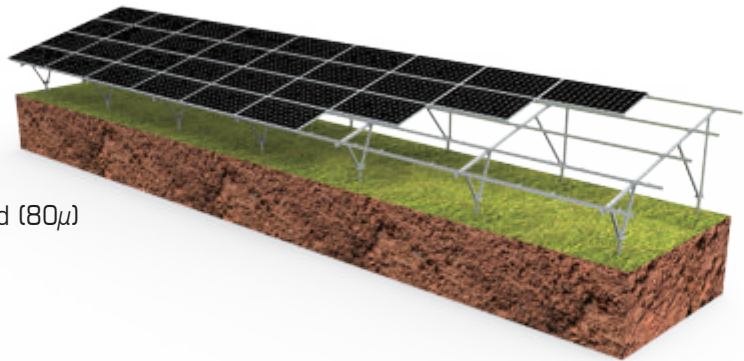


### Advantages









- Easy installation
- Safety and reliability
- Cost saving
- Anti-corrosion and anti-rust

### Technical Datas

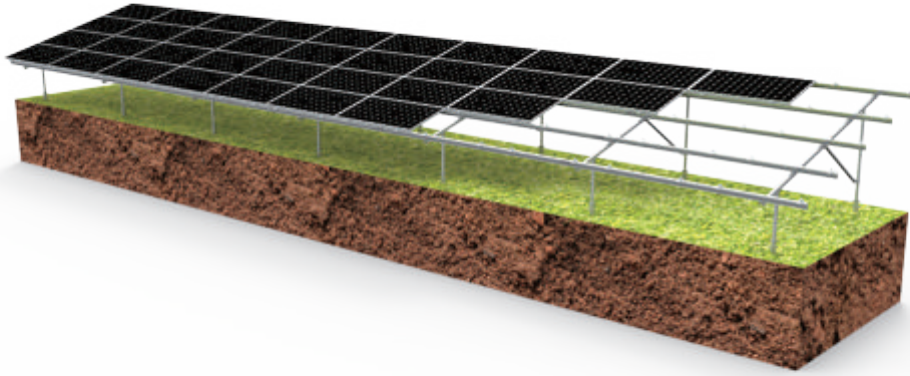
- Installation site: Open field ground mount
- Foundation: Ground screw & Concrete
- Mount tilt angle: 0-45 Degree
- Wind velocity: Up to 60m/s
- Snow load: Up to 1.4KN/M<sup>2</sup>
- Protection: Q235B or Q345 Hot dip galvanized (80μ)
- Accessories: Stainless steel fastening
- Duration: More than 30 years



### Main Components:

2V Rack	Galvanizing Rail	Rail Splice	Rail Fastening Block
			
Mid-clamp	End-clamp	Ground screw	Rail Cap
			

## Pipe Ground Mount

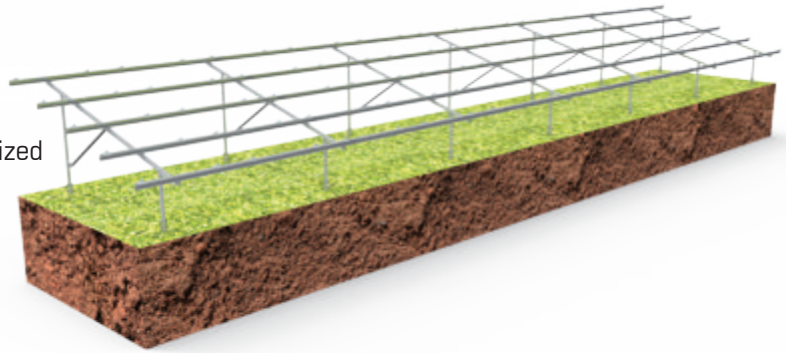


### Advantages

- Easy installation
- Safety and reliability
- Cost saving
- Anti-corrosion and anti-rust

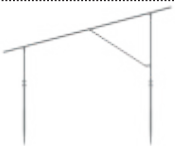
### Technical Datas

- Installation site: Open field ground mount
- Foundation: Ground screw & Concrete
- Mount tilt angle: 0-45 Degree
- Wind velocity: Up to 60m/s
- Snow load: Up to 1.4KN/M<sup>2</sup>
- Protection: Q345 or Q235B Hot dip galvanized
- Accessories: Stainless steel fastening
- Duration: More than 30 years



### Main Components:

IV Rack



Pipe Block



CK Brace



Mid-clamp



Galvanizing Rail



End-clamp



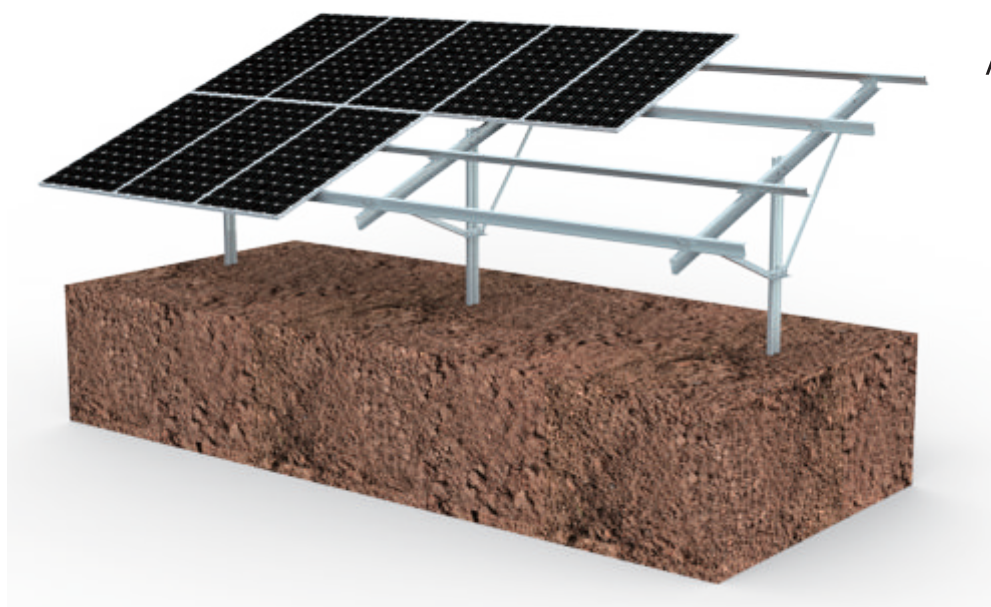
Rail splice kit



Ground screw



## Σ Single Pipe Ground Mount



### Advantages

- Easy installation
- Safety and reliability
- Cost saving
- Anti-corrosion and anti-rust

### Technical Datas

- Installation site: Open field ground mount
- Foundation: Ground screw & Concrete
- Mount tilt angle: 4-45 Degree
- Wind velocity: Up to 60m/s
- Snow load: Up to 1.4KN/M<sup>2</sup>
- Protection: Q345 or Q235B Hot dip galvanized
- Accessories: Stainless steel fastening
- Duration: More than 30 years



### Main Components:

Rack



Galvanizing Rail



Rail splice kit



Rail fastening block



Support Bracing



Mid-clamp



End-clamp



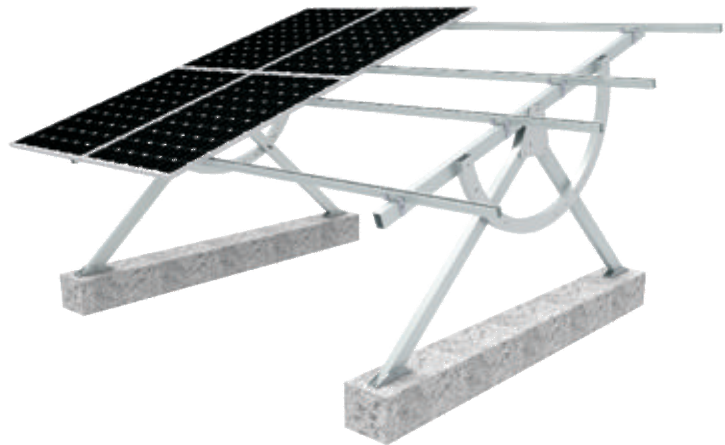
## Adjustable Steel Ground Mount

### Advantages

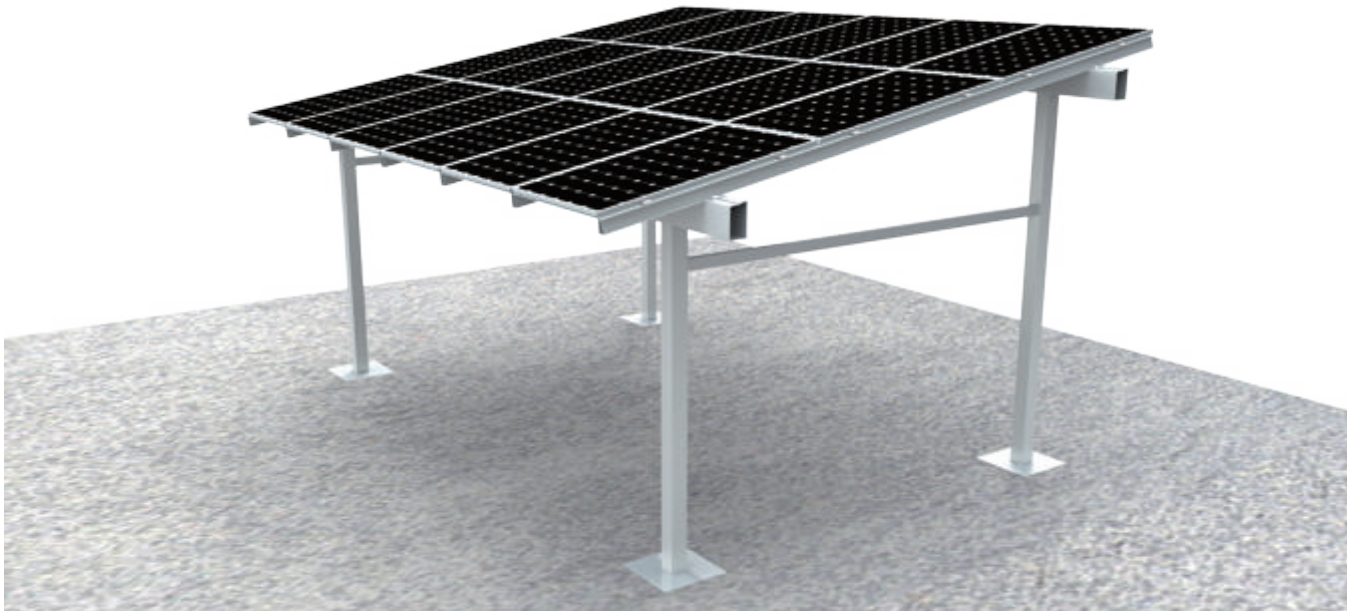
- Easy installation
- Safety and reliability
- Extension flexibility
- Anti-corrosion and anti-rust

### Technical Data

- Installation site: Open field ground mount
- Foundation: Ground screw foundation & Concrete foundation
- Mount tilt angle: -45 to +45 Degree
- Wind velocity: Up to 60m/s
- Snow load: Up to 1.4KN/M2
- Main component: Q235B High class hot galvanized (80 $\mu$ )
- Accessories: Zinc coating bolts
- Duration: More than 30 years



## Alu Carport



### Technical Datas

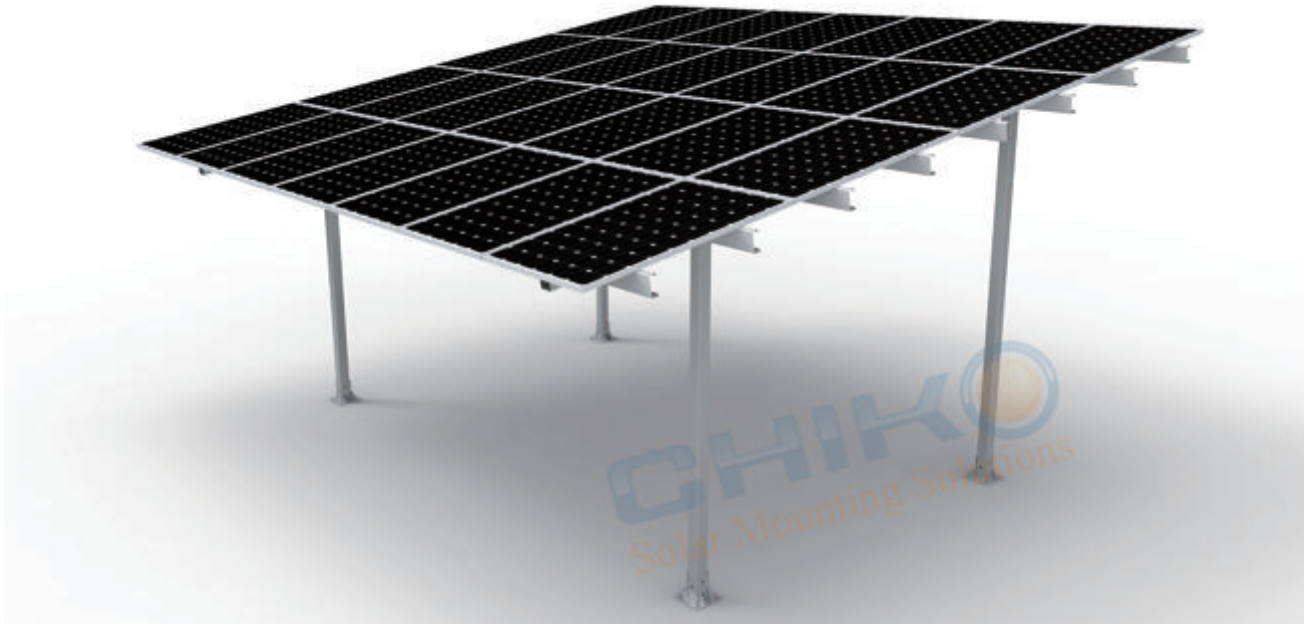
- Installation site: Commercial or Home car parking
- Foundation: Concrete
- Wind velocity: Up to 60m/s
- Snow load: Up to 1.4KN/M<sup>2</sup>
- Main components: AL6005-T5
- Accessories: Stainless steel fastening
- Duration: More than 30 years

### Advantages

- Beautiful
- Easy installation
- Anti-corrosion
- Cost saving & anti-rust



## Steel Carport



### Technical Datas

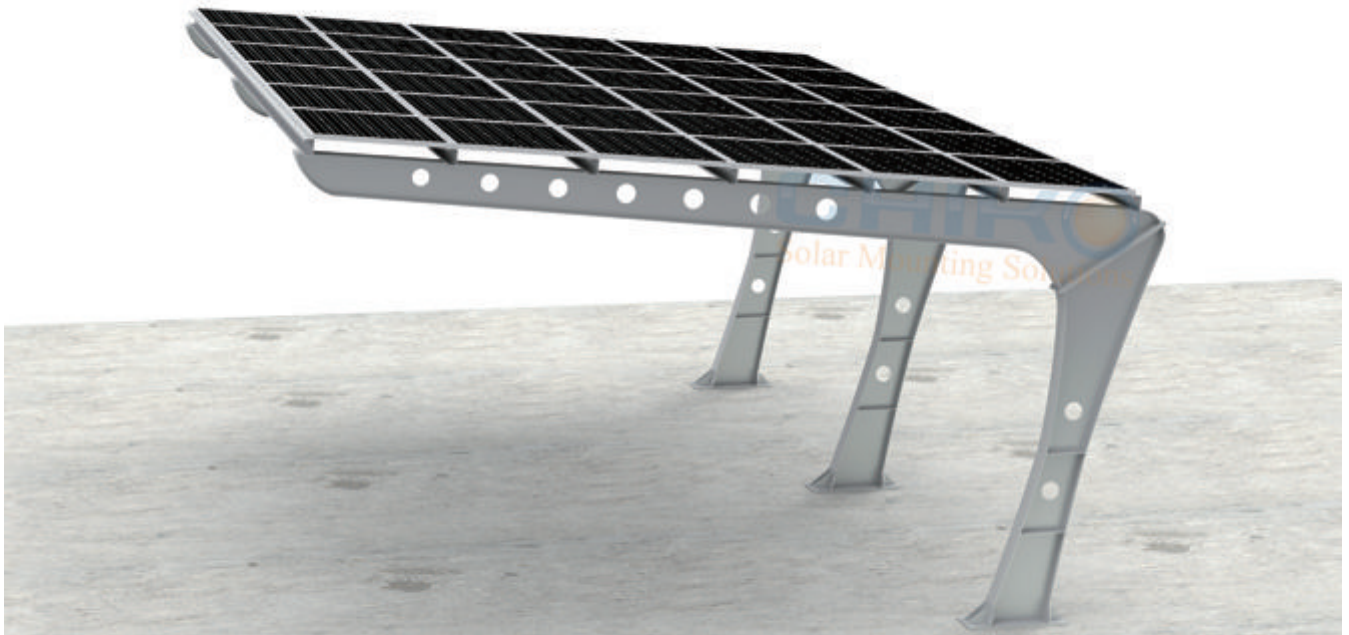
- Installation site: Commercial car parking
- Foundation: Concrete
- Mount tilt angle: 0-15 Degree
- Wind velocity: Up to 60m/s
- Snow load: Up to 1.4KN/M<sup>2</sup>
- Protection: Q235B Hot dip galvanized (80μ)
- Accessories: Stainless steel fastening
- Duration: More than 30 years

### Advantages

- Cost saving
- Simple design
- Enables easy access
- Adding extra safety



## Steel T Carport



### Technical Datas

- Installation site: Commercial car parking
- Foundation: Concrete
- Mount tilt angle: 0-15 Degree
- Wind velocity: Up to 60m/s
- Snow load: Up to 1.4KN/M<sup>2</sup>
- Protection: Q235B Hot dip galvanized (80μ)
- Accessories: Stainless steel fastening
- Duration: More than 30 years

### Advantages

- Cost saving
- Simple design
- Enables easy access
- Adding extra safety



Ground screw type I with flange I

- Material steel Q235B
- High class hot galvanized 80 $\mu$

Item No.	Diameter (mm)	Length(mm)	Thickness(mm)
CK-GS-F1-1200-3.0T	76	1200	3.0
CK-GS-F1-1600-3.0T	76	1600	3.0
CK-GS-F1-2000-3.0T	76	2000	3.0
CK-GS-F1-2500-3.0T	76	2500	3.0
CK-GS-F1-1200-3.5T	76	1200	3.5
CK-GS-F1-1600-3.5T	76	1600	3.5
CK-GS-F1-2000-3.5T	76	2000	3.5
CK-GS-F1-2500-3.5T	76	2500	3.5

Ground screw type I with flange II

- Material steel Q235B
- High class hot galvanized 80  $\mu$

Item No.	Diameter (mm)	Length(mm)	Thickness(mm)
CK-GS-F2-1200-3.0T	76	1200	3.0
CK-GS-F2-1600-3.0T	76	1600	3.0
CK-GS-F2-2000-3.0T	76	2000	3.0
CK-GS-F2-2500-3.0T	76	2500	3.0
CK-GS-F2-1200-3.5T	76	1200	3.5
CK-GS-F2-1600-3.5T	76	1600	3.5
CK-GS-F2-2000-3.5T	76	2000	3.5
CK-GS-F2-2500-3.5T	76	2500	3.5

Ground screw type II with flange I

- Material steel Q235B
- High class hot galvanized 80  $\mu$

Item No.	Diameter(mm)	Length(mm)	Thickness(mm)
CK-GSY-76F1-24-1200-3.0T	76	1200	3.0
CK-GSY-76F1-24-1600-3.0T	76	1600	3.0
CK-GSY-76F1-24-2000-3.0T	76	2000	3.0
CK-GSY-76F1-24-2500-3.0T	76	2500	3.0
CK-GSY-76F1-24-1200-3.5T	76	1200	3.5
CK-GSY-76F1-24-1600-3.5T	76	1600	3.5
CK-GSY-76F1-24-2000-3.5T	76	2000	3.5
CK-GSY-76F1-24-2500-3.5T	76	2500	3.5

Ground screw type II with flange II

- Material steel Q235B
- High class hot galvanized 80  $\mu$

Item No.	Diameter(mm)	Length(mm)	Thickness(mm)
CK-GSY-76F2-24-1200-3.0T	76	1200	3.0
CK-GSY-76F2-24-1600-3.0T	76	1600	3.0
CK-GSY-76F2-24-2000-3.0T	76	2000	3.0
CK-GSY-76F2-24-2500-3.0T	76	2500	3.0
CK-GSY-76F2-24-1200-3.5T	76	1200	3.5
CK-GSY-76F2-24-1600-3.5T	76	1600	3.5
CK-GSY-76F2-24-2000-3.5T	76	2000	3.5
CK-GSY-76F2-24-2500-3.5T	76	2500	3.5





Adjustable ground screw type I without flange

- Material steel Q235B
- High class hot galvanized 80 $\mu$

Item No.	Diameter(mm)	Length(mm)	Thickness(mm)
CK-GST-76N-1200-3.0T	76	1200	3.0
CK-GST-76N-1600-3.0T	76	1600	3.0
CK-GST-76N-2000-3.0T	76	2000	3.0
CK-GST-76N-2500-3.0T	76	2500	3.0
CK-GST-76N-1200-3.5T	76	1200	3.5
CK-GST-76N-1600-3.5T	76	1600	3.5
CK-GST-76N-2000-3.5T	76	2000	3.5
CK-GST-76N-2500-3.5T	76	2500	3.5



Adjustable ground screw type II without flange

- Material steel Q235B
- High class hot galvanized 80  $\mu$

Item No.	Diameter(mm)	Length(mm)	Thickness(mm)
CK-GSYT-76N-1200-3.0T	76	1200	3.0
CK-GSYT-76N-1600-3.0T	76	1600	3.0
CK-GSYT-76N-2000-3.0T	76	2000	3.0
CK-GSYT-76N-2500-3.0T	76	2500	3.0
CK-GSYT-76N-1200-3.5T	76	1200	3.5
CK-GSYT-76N-1600-3.5T	76	1600	3.5
CK-GSYT-76N-2000-3.5T	76	2000	3.5
CK-GSYT-76N-2500-3.5T	76	2500	3.5



Adjustable ground screw flange I

- Material steel Q235B
- High class hot galvanized 80  $\mu$

Item No.	Diameter(mm)	Length(mm)	Thickness(mm)
CK-AFP-76F1-500-3.0T	200	500	3.0
CK-AFP-76F1-800-3.5T	200	800	3.5



Adjustable ground screw flange II

- Material steel Q235B
- High class hot galvanized 80  $\mu$

Item No.	Diameter(mm)	Length(mm)	Thickness(mm)
CK-AFP-76F2-500-3.0T	200	500	3.0
CK-AFP-76F2-800-3.5T	200	800	3.5



Anchor foundation

- Material steel Q235B
- High class hot galvanized 80  $\mu$

Item No.	Description
CK-NK-03	Anchor foundation with 3 pipes
CK-NK-06	Anchor foundation with 9 pipes
CK-NK-12	Anchor foundation with 12 pipes



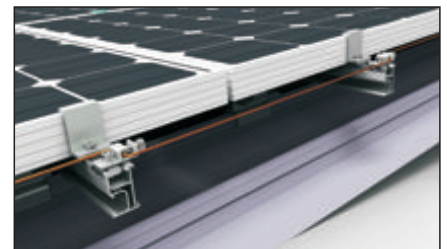
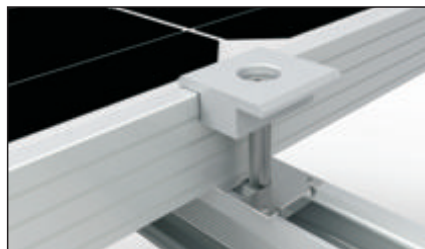
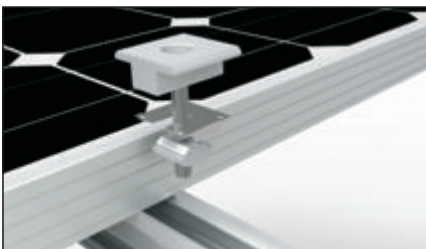
## Earthing Accessory

This product is designed to bond solar PV modules to mounting structures and create an electrical path to ground.

### Earthing Clip



		CK-GTC-R3A CHIKO Grounding Clip (Open 8.5mm)
		CK-GTC-R3B CHIKO Grounding Clip (Closed 8.5mm)
		CK-GTC-R3C CHIKO Grounding Clip (Open 12mm)
		CK-GTC-R3D CHIKO Grounding Clip (Circle closed 8.5mm)
		CK-GTC-R3E CHIKO Grounding Clip for Adjustable Mid Clamp (Open 8.5mm)
		CK-GTC-R3F CHIKO Grounding Clip Closed 8.5mm for Ground Mount Mid Clamps
		CK-GTC-R3G CHIKO Grounding Clip For T Mid Clamps
		CK-GTC-R1 CHIKO Bonding Jumper
		CK-GTC-R1B CHIKO Bonding Jumper in Rail Splice Kit
		CK-GTC-R2 CHIKO Grounding Lug
		CK-FSC-ECP01-205 CHIKO Bonding Jumper between Panels



## Cable Fixed Accessory



CK-FSC-CP1/2/3



CK-FSC-CP4/5

### Cable clip

**CK-FSC-CP1** Solar cable clips 2.5 Hold one or two 2.5mm<sup>2</sup> solar cable

**CK-FSC-CP2** Solar cable clips 4.0 Hold one or two 4.0mm<sup>2</sup> solar cable

**CK-FSC-CP3** Solar cable clips 6.0 Hold one or two 6.0mm<sup>2</sup> solar cable

- Package 8000 PCS/CTN
- Suit all solar modules
- Made from stainless steel SUS304
- Fast and cost-effective installation

**CK-FSC-CP4** Solar cable clips 90°/180° 4.0 Hold one or two 4.0mm<sup>2</sup> solar cable

**CK-FSC-CP5** Solar cable clips 90°/180° 6.0 Hold one or two 6.0mm<sup>2</sup> solar cable

### Stainless steel cable tie

- Various length available
- Stainless Steel SUS304
- Unique buckle locking mechanism
- Fast & easy installation

Material in high quality SUS304			
Item	Width (mm)	Length (mm)	Package (pcs/pkg)
CK-FSC-TA-150	4.6	150	100
CK-FSC-TA-200	4.6	200	100
CK-FSC-TA-250	4.6	250	100
CK-FSC-TA-300	4.6	300	100
CK-FSC-TA-350	4.6	350	100

- Package 5000 PCS/CTN



## PV Connector

CK-0807-A/B CK-0807-3A/3B CK-0808-A/B CK-0808-3A/3B  
 PV Junction Box adopts crowned spring and has automatic locking mechanism on plugs to ensure solid connection between contact and connector. Connector plug (negative) is equipped with buttons that are symmetric at the bottom to ensure the convenience of removal. Such removal does not need any extra instruments, therefore, can make sure that the plug is intact.  
 This advanced product, with easy usage, is more convenient to use than similar products. In addition, the product also confirms to DIN V VDE V 0126-3.



### PV CONNECTOR



CK-0807-A/B-02  
 MC4 Single Connector  
 500 SETS/PKG



CK-0807-2A/2B-02  
 MC4 2-Branch Connector  
 100 SETS/PKG

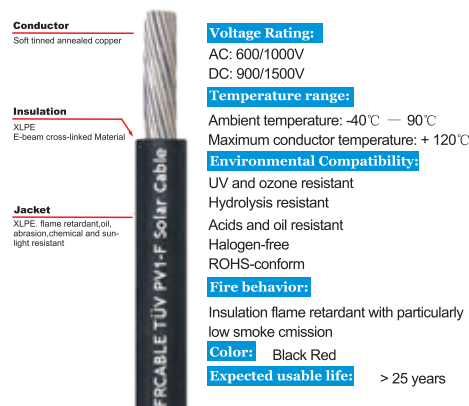


CK-0807-3A/3B-02  
 MC4 3-Branch Connector  
 100 SETS/PKG

## PV Cable

### CHIKO Photovoltaic Cable

- Conductor : Tinned annealed copper
- Insulation : 120°CXLPE, black
- Jacket : 120°CXLPE, black
- voltage 600/1000V temperature 120°C
- Specifically designed for connecting photovoltaic system components inside and outside of building and equipment with high mechanical requirements and extreme weather conditions . For permanent installations.
- Cable made of electron-beam cross-linked insulation and coating; high resistance against heat, cold, oil, abrasion, ozone, UV and weather; with improved reaction in case of fire; low smoke, halogen free, flame free, flame retardant; flexible, easy to strip, very low space requirement, extremely mechanically robust, very long lifetime.



### Construction

Type	Conductor		Insulation Standard Thickness	Insulation Standard Dia.	Jacket Standard Thickness	Outer Dia.	Conductor resistance (20°C)	Max. Current Carrying Capacity
	Construction	ConductorDia.						
mm <sup>2</sup>	N/mm	(about)mm	mm	mm	mm	mm	Ω/KM	Apm
1.5	30/0.25±0.006	1.58	0.90	3.38 ± 0.1	1.10	5.5 ± 0.2	13.7	30
2.5	50/0.25±0.006	2.04	0.85	3.74 ± 0.1	0.90	5.5 ± 0.2	8.21	41
4.0	56/0.30±0.006	2.59	0.85	4.29 ± 0.1	0.90	6.10±0.2	5.09	55
6.0	84/0.30±0.006	3.17	0.85	4.87 ± 0.1	1.05	7.0±0.2	3.39	70

### Electrical Properties

Item	Units	Specification
Conductor resistance ( 20°C )	Ω / km	—
Insulation resistance ( 90°C )	Ω / cm	≤ 10 <sup>11</sup>
Withstand voltage	V / 5min	AC6500
Lifetime	Year	≤ 25years
Min.Bending Radius		5D

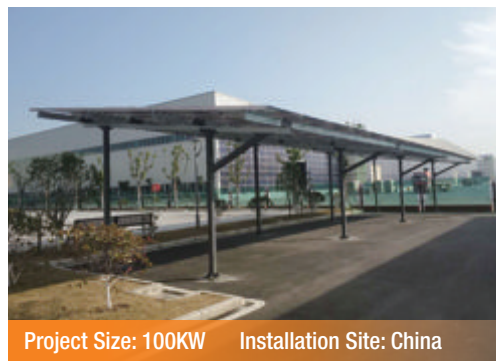


### CHIKO Photovoltaic Cable

Item	Description	Package(Meter/Roll)
CK-0809-1.5	Solar cable 1.5mm <sup>2</sup>	250
CK-0809-2.5	Solar cable 2.5mm <sup>2</sup>	250
CK-0809-4.0	Solar cable 4.0mm <sup>2</sup>	100
CK-0809-6.0	Solar cable 6.0mm <sup>2</sup>	200
CK-0809-10.0	Solar cable 10.0mm <sup>2</sup>	100



# PROJECTS REFERENCE



# PROJECTS REFERENCE



Project Size: 1MW Installation Site: Thailand



Project Size: 200KW Installation Site: USA



Project Size: 4WW Installation Site: Panama



Project Size: 800KW Installation Site: Australia



Project Size: 500KW Installation Site: Japan



Project Size: 600KW Installation Site: Jordan



Project Size: 300KW Installation Site: Australia



Project Size: 3.45MW Installation Site: Philippines



Project Size: 12KW Installation Site: Netherlands



Project Size: 200KW Installation Site: USA



Project Size: 3MW Installation Site: China

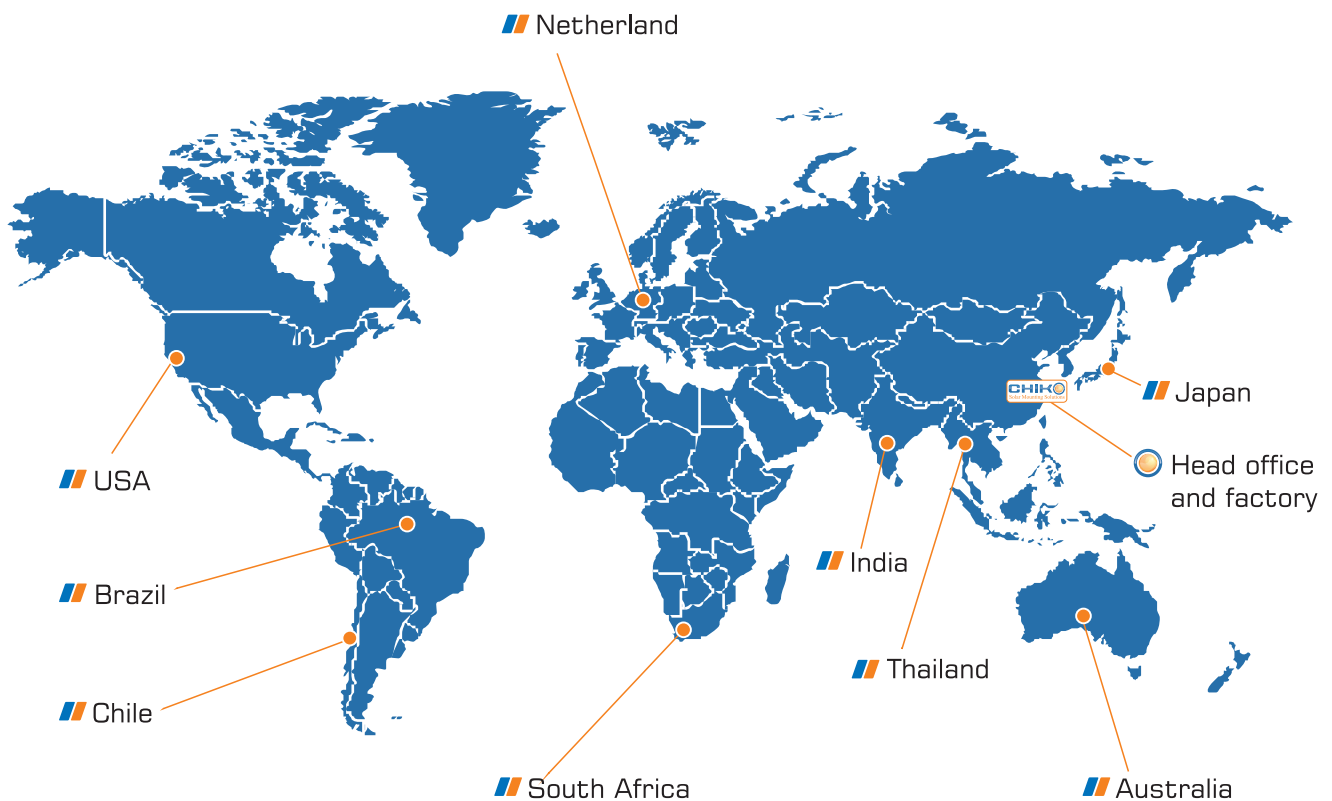


Project Size: 2.8MW Installation Site: China

# WORLD LEADING

---

# M A N U F A C T U R E



Shanghai CHIKO Solar Technology Co., Ltd.

Add: No.680 Xingwen Road, Jiading District, Shanghai 201815 China

Tel: +86-21-59972267 / 59973712 / 59973713

Fax: +86-21-59972938

Email: sales@chikolar.com

www.chikolar.com